

CAST 316 STAINLESS STEEL VALVES

FIG. 90B-200 SWING CHECK VALVE (CF8M)

FIG. 91B-200 WEDGE GATE VALVE (CF8M)

FIG. 92B-200 GLOBE VALVE (CF8M)



Design Features

- Pressure temperature rating 200 PSI, WSP/350
- Integral seat

*Designed to handle corrosive fluids
in the process industries.*



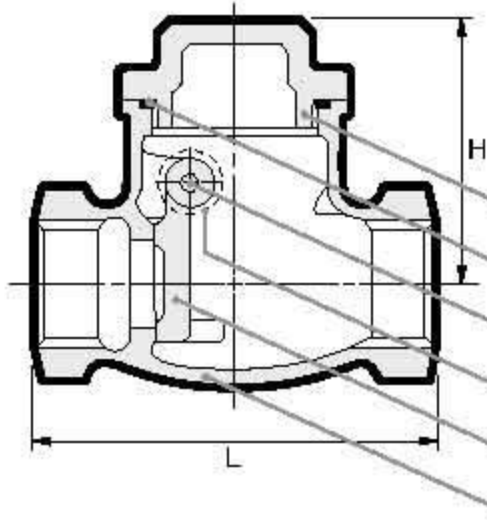
AMERITEK Industrial Corp.

Tel: 305-663-4448 Fax: 305-663-4458
sales@ameritek.net www.ameritek.net

Cast 316 Stainless Steel Valves

Pressure Temperature Rating 200 PSI, WSP/350°
Integral seat

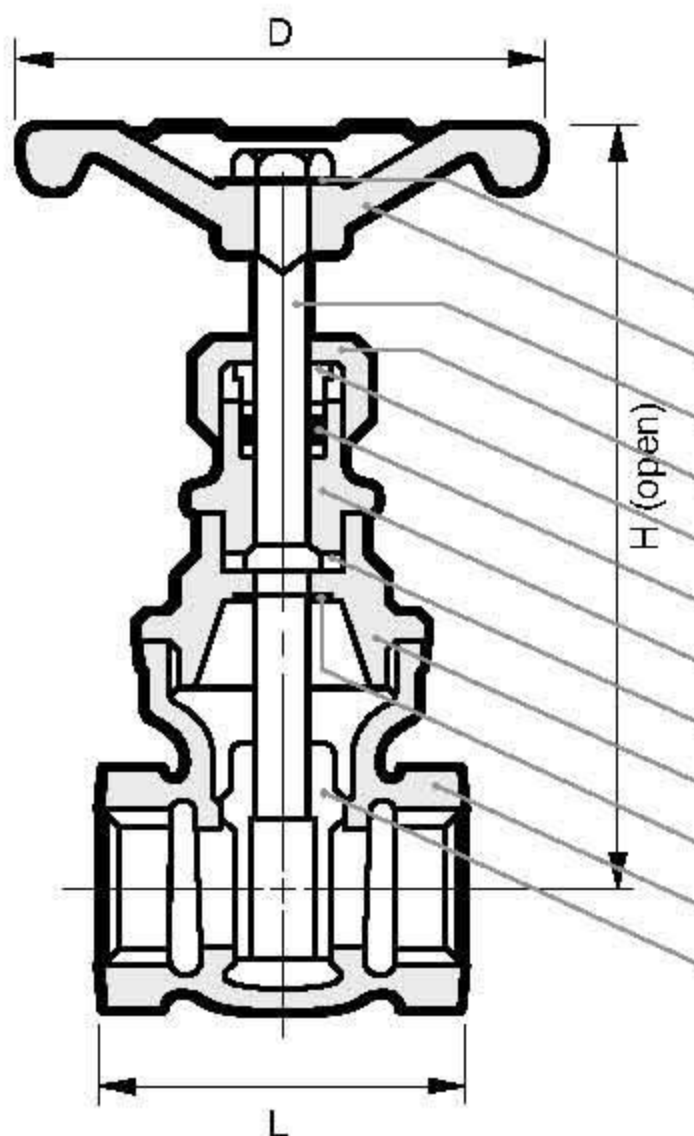
FIG. 90B-200 N.P.T. or Socket Weld



PARTS / MATERIAL	
1.	Cap / CF8M
2.	Gasket / PTFE
3.	Hinge Pin / 316
4.	Plug / 316
5.	Disc / CF8M
6.	Body / CF8M

D I M E N S I O N S								
Valve	1/2	3/4	1	1 1/4	1 1/2	2	2 1/2	3
in/mm	15	20	25	32	40	50	65	80
L	2 3/16	3 1/8	3 9/16	4 1/8	4 3/4	5 1/2	7 1/16	7 7/8
in/mm	65	80	91	106	122	140	180	200
H	1 3/4	2 3/16	2 7/16	2 13/16	2 7/8	3 1/4	3 11/16	4 1/8
in/mm	45	56	62	72	73	82	93	104

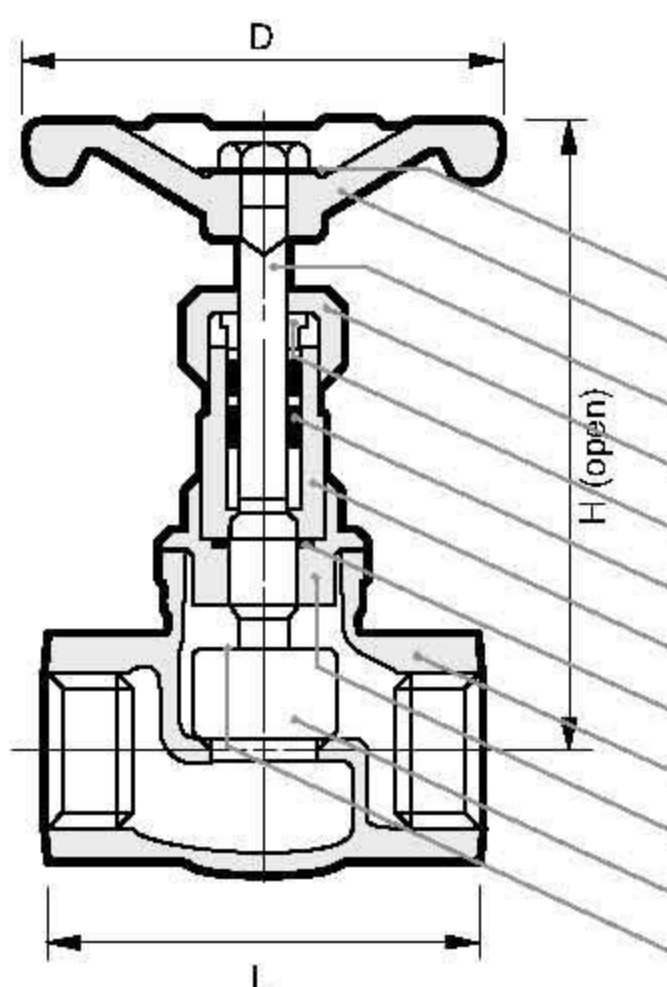
FIG. 91B-200 N.P.T. Only (Non-Rising Stem)



PARTS / MATERIAL	
1.	Name Plate / Aluminum
2.	Handwheel / FCD
3.	Stem / 316
4.	Packing Nut / CF8
5.	Gland / CF8M
6.	Gland Packing / PTFE
7.	Packing Box / 316
8.	Stem Washer / 316
9.	Bonnet / CF8M
10.	Snap Ring / 316
11.	Body / CF8M
12.	Disc / CF8M

D I M E N S I O N S						
Valve	1/2	3/4	1	1 1/4	1 1/2	2
in/mm	15	20	25	32	40	50
L	2 3/16	2 3/8	2 5/8	3	3 3/8	3 3/4
in/mm	55	60	66	76	87	96
H	3 7/8	4 3/8	4 3/4	5 1/8	7 1/2	8 1/8
in/mm	98	110	121	130	190	207
D	2 3/4	2 3/4	3	3	4	4 3/4
in/mm	70	70	77	77	103	121

FIG. 92B-200 N.P.T. Only (Rising Stem)



NAME / MATERIAL	
1.	Name Plate / Aluminum
2.	Handwheel / FCD
3.	Stem / 316
4.	Packing Nut / CF8M
5.	Gland / CF8M
6.	Gland Packing / PTFE
7.	Packing Box / 316
8.	Stem Washer / 316
9.	Body / CF8M
10.	Bonnet / CF8M
11.	Disc / 316
12.	Snap Ring / 316

D I M E N S I O N S						
Valve	1/2	3/4	1	1 1/4	1 1/2	2
in/mm	15	20	25	32	40	50
L	2 5/8	3	3 3/8	3 3/4	4 3/8	5
in/mm	68	75	86	94	112	126
H	4 3/8	4 1/2	5 1/16	6	6 5/8	8
in/mm	110	114	129	152	168	203
D	2 3/4	2 3/4	3	3	4	4 3/4
in/mm	70	70	77	103	103	121