

CAST BODY WEDGE GATE VALVES

FIG. 20-150, STAINLESS STEEL - CLASS 150



Design Features

- Locking handwheel nut.
- Provision for lockout lanyard.
- TFE impregnated packing for temperature to 450°F/232°C and PH 2-12.
- Precision machined flexible wedge gate and seat for tight shut-off.
- Fully guided gate to ensure alignment.
- Outside screw and yoke, non-rising handwheel, rising stem.
- Two piece yoke and bonnet assembly.
- Flanges match ASME B 16.5-150 Lbs standard. Serrated gasket faces.
- Face to face ASME B16.10

Designed to ASME B16.34 & API
603 tested to API 598

*Designed to handle corrosive fluids in the
process industries*

AMERITEK Industrial Corp.

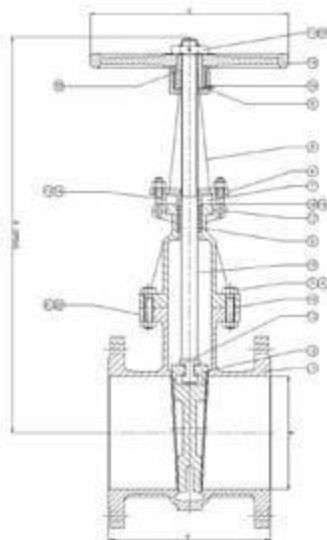
Tel: 305-663-4448 Fax: 305-663-4458
sales@ameritek.net www.ameritek.net

STAINLESS STEEL WEDGE GATE VALVES

FIG. 20-150, STAINLESS STEEL - CLASS 150

FIG 20B-150-CF8M (316)

FIG 20L-150-CG8M (317)



Item	Description	Fig. 20B	Fig. 20L
1	Body	CF8M	CG8M
2	Disc	CF8M	CG8M
3	Nut	304	304
4	Bonnet-Bolt	304	304
5	packing	TFE Impregnated	TFE Impregnated
6	Gland Flange	CF8M	CF8M
7	Gland	316	317L
8	Yoke	CF8	CF8
9	Stem Sleeve	660(Bronze)	660(Bronze)
10	Handwheel	Ductile Iron	Ductile Iron
11	Handwheel Nut	SS/Nylock	SS/Nylock
12	Stem	316	317L
13	Yoke Bolt	304	304
14	Nut	304	304
15	Bonnet	CF8M	CG8M
16	Gasket	P.T.F.E	P.T.F.E
17	Gland Bolt Pin	304	304
18	Gland Bolt	304	304
19	Gland Bolt Nut	304 Nylock	304 Nylock
20	Sleeve Retainer	304	304
21	Nameplate	Aluminium	Aluminium
22	Rivets	Aluminium	Aluminium
23	Lock Screw	SS	SS
24	Grease Nipple	Plated Steel	Plated Steel

DIMENSIONS - INCHES

SIZE	2	2.5	3	4	6	8	10	12	14	16	18	20	24
A	7	7.5	8	9	10.5	11.5	13	14	15	16	17	18	20
B	2	2.5	3	4	6	8	10	12	14	16	18	20	24
C	7	7	8	9	12	14	16	18	18	20	20	20	20
D	15	17.5	18.5	22.75	30.25	37.75	44.75	52.75	60	66.5	73.75	80.75	94
Wt.lb.	44	50	55	80	130	220	348	480	600	830	900	1150	1520

DIMENSIONS - MILLIMETERS

SIZE	50	65	80	100	150	200	250	300	350	400	450	500	600
A	178	190	203	229	267	292	330	356	381	406	432	457	508
B	50	65	80	100	150	200	250	300	350	400	450	500	600
C	180	180	203	229	305	356	406	457	457	508	508	508	508
D	380	444	470	578	768	959	1137	1340	1524	1689	1873	2051	2388
Wt.Kg	20	23	25	36	59	100	158	218	276	373	410	523	690

- Handwheel actuator standard.
- Chainwheel, bevel gear, electric or pneumatic actuators are available.
- Also available in larger sizes, or in special alloys like CN7m (Alloy 20), Duplex SS, Hastelloy are available on request.